

Dash-On XS



Functional Specifications

RF air protocol	EPC Class 1 Gen 2; ISO18000-6C
Operating frequency	UHF 902-928 MHz (US); 866-868 MHz (EU)
IC type	Alien Higgs-3
Memory configuration	96-bit EPC; 512-bit user memory; 64-bit TID
Functionality	Read / write (user programmed)
Memory – expected read / write cycles	100,000 cycles at 77°F (25°C)
Data retention	Up to 50 years ¹
Read rate	400 tags per second for 96-EPC bit number
Warranty (limited)	1 year

Performance Characteristics

Read range on metal (2W ERP) ²	Up to 6.6 ft (2 m)
Polarization	Linear

Physical Specifications

Material	Ceramic
Mounting system	Epoxy
Color	Black

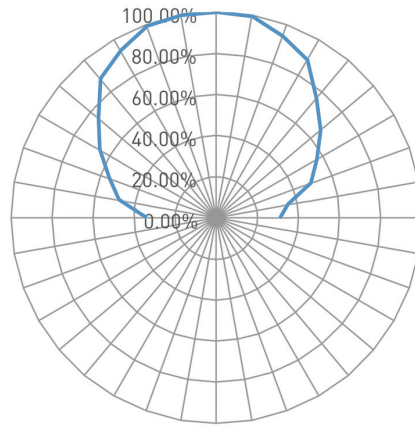
Environmental and Industry Compliance

FDA Class	Class I
Global Unique Device Identification Database (GUDID)	Support
RoHS	EU Directive 2002/95/EC
ATEX	ATEX Compliant
Autoclavable	Yes



¹ The chip data retention is based on chip operating under general environment conditions.

² Actual read range may vary based upon use case and antenna power.

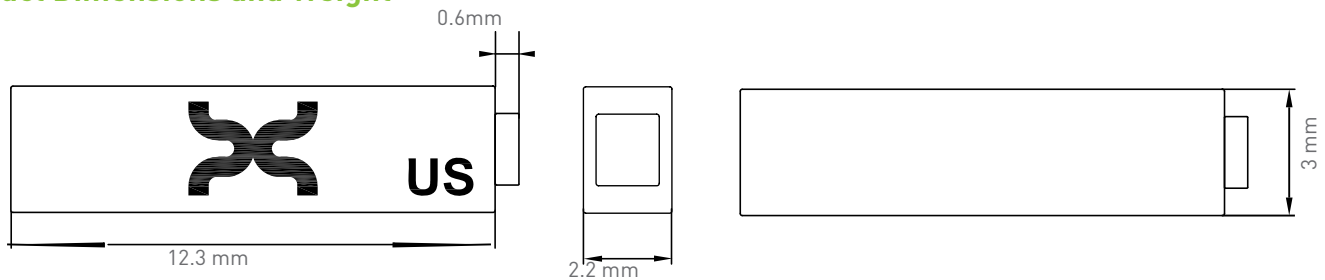


On metal

Operational and Environmental Specifications

Operational temperature	
Cold	-40°F (-40°C)
Dry heat (Long term, days/weeks/years)	+185°F (+85°C)
Application temperature	
Cold	-40°F (-40°C)
Dry heat (Short term, minutes/hours)	+302°F (+150°C)
Humidity	
Operational humidity	5%-95% non-condensing
Storage humidity	5%-95% non-condensing
Shock (drop)	3 ft (1 m) to concrete/granite up to 200 cycles
Vibration	MIL-STD-810F
IP classification	IP68

Product Dimensions and Weight



Dimensions (mm)	12.3 x 3 x 2.2
tolerance	+/- 0.3
Dimensions (in)	0.48 x 0.12 x 0.09
tolerance	+/- 0.012
Weight	0.016 oz (0.44 g)

Order information

X4101-US000-H3	Dash On US
X4101-EU000-H3	Dash On EU

Dash-iN XS



Functional Specifications

RF air protocol	EPC Class 1 Gen 2; ISO18000-6C
Operating frequency	UHF 902-928 MHz (US); 866-868 MHz (EU)
IC type	Alien Higgs-3
Memory configuration	96-bit EPC; 512-bit user memory; 64-bit TID
Functionality	Read / write (user programmed)
Memory – expected read / write cycles	100,000 cycles at 77°F (25°C)
Data retention	Up to 50 years ¹
Read rate	400 tags per second for 96-EPC bit number
Warranty (limited)	1 year

Performance Characteristics

Read range in metal (2W ERP) ²	Up to 5 ft (1.5 m)
Polarization	Linear

Physical Specifications

Material	Ceramic
Mounting system	Epoxy
Color	White

Environmental and Industry Compliance

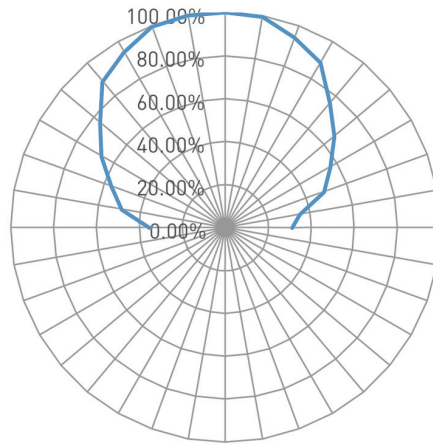
FDA Class	Class I
Global Unique Device Identification Database (GUDID)	Support
RoHS	EU Directive 2002/95/EC
ATEX	ATEX Compliant
Autoclavable	Yes



¹ The chip data retention is based on chip operating under general environment conditions.

² Actual read range may vary based upon use case and antenna power.

Radiation Pattern

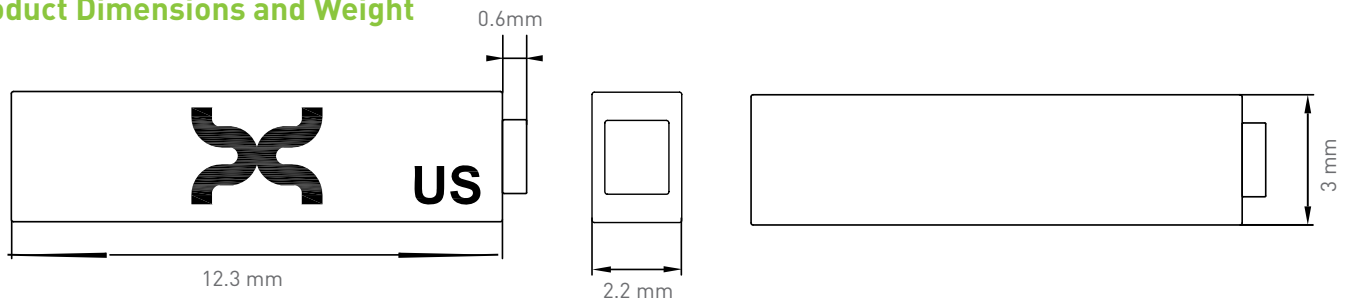


In metal

Operational and Environmental Specifications

Operational temperature	
Cold	-40°F (-40°C)
Dry heat (Long term, days/weeks/years)	+185°F (+85°C)
Application temperature	
Cold	-40°F (-40°C)
Dry heat (Short term, minutes/hours)	+302°F (+150°C)
Humidity	
Operational humidity	5%-95% non-condensing
Storage humidity	5%-95% non-condensing
Shock (drop)	3 ft (1 m) to concrete/granite up to 200 cycles
Vibration	MIL-STD-810F
IP classification	IP68

Product Dimensions and Weight



Dimensions (mm)	12.3 x 3 x 2.2
tolerance	+/- 0.3
Dimensions (in)	0.48 x 0.12 x 0.09
tolerance	+/- 0.012
Weight	0.016 oz (0.44 g)

Order information

X4201-US000-H3	Dash iN US
X4201-EU000-H3	Dash iN EU